

# INSTALLATION

Place the Radius5 on a rigid level surface (take care to avoid damaging the surface by the spike feet). The arm cable should be securely fixed into the base of the tone arm and connected to the phono input of the amplifier without pulling on to the Radius5. It is important to ensure the phono input is matched type of cartridge you are using and that the tone arm cable ground lead is firmly attached to the phono input grounding point on the amplifier.

*To ensure correct geometry, tracking weight and anti-skate force, the cartridge/tone arm should be assembled according to manufacturer's instructions.*

Connect the power lead to the correct voltage/frequency mains supply and switch the Radius5 on. The Radius5 platter will start to rotate at the speed corresponding to the position of the drive belt on the pulley. In most countries, 220-240Vac mains supplies are at 50Hz and 110-120Vac mains supplies are at 60Hz. If you are unsure of your mains supply frequency, consult your local electricity supplier.

Please note that the motor body is de-coupled and it will oscillate back and forth while it synchronises with the mains frequency and gets to the correct speed. This method of mounting and isolating the motor ensures minimal motor noise break through and stabilises the continuous running speed.

**NOTE:**  
Always remove the platter before moving/transporting the Radius5. If fitted with the NIMA; remove the counter weight assembly, lock the NIMA in transit position and secure it with the releasable tie-wrap to its arm rest.

# OPERATION

Your Radius5 record player is now ready for use. With the drive belt in the desired pulley groove switch the Radius5 on. Check the amplifier volume is set to low and that the correct input for phono is selected. Gently increase the volume and check for any unwanted hum/noise. Now check the hum level with the amplifier at high volume. There should be no hum or very low level of hum audible (Remember to lower the volume afterwards). If so, then carefully place the record you wish to play onto the platter, gently lower the arm/cartridge onto the track you want to listen to and enjoy the music from your Radius5.

To select 45 or 33 rpm, switch the motor off and place the belt around the corresponding pulley groove and start the motor again. The motor will at first rock back and forth a few times to catch up with speed and synchronise. Once the motor has settled down, place the record on the platter and play your desired track.

# TROUBLESHOOTING

If you suspect that your Radius5 record player is not working correctly, first check all the connections. Pay particular attention to cartridge tag connections, (channel & phase), tone arm cable connections (phono RCAs & ground) and mains lead connection. Below are some commonly encountered problems with suggestions for possible cure. The list is not exhaustive: If you have any unresolved problems, please consult your ROKSAN appointed retailer, distributor or Roksan Audio.

SYMPTOM	LIKELY CAUSE	SUGGESTED REMEDY
No power	AC Mains lead not inserted properly Unit not switched on	Ensure AC Mains lead is fully inserted Switch unit on
Wrong speed	Incorrect pulley groove selected	Check your mains supply frequency and place drive belt in the correct pulley groove (see figure in assembly section above)
Mis-tracking and poor sound quality	Incorrect arm/cartridge set-up and alignment	Check arm/cartridge set-up (refer to manufacturer's user manual)
Hum from speakers	Tone arm cable ground not connected or Incorrect Grounding	Connect tone arm cable ground lead to phono amp ground terminal Check mains polarity and grounding on all connected equipment

# GUARANTEE

There are no user-serviceable parts inside your Roksan Radius5 Record Player. If a fault should develop, refer any servicing to your appointed ROKSAN dealer, distributor or ROKSAN approved service agent.

Your Roksan Radius5 Record Player is guaranteed against any defect in materials and workmanship for a period of two years from the date of purchase. This guarantee only becomes effective if the warranty card is validated (by the ROKSAN retailer from whom the equipment was purchased) and returned to ROKSAN within 28 days of purchase.

This guarantee excludes:  
1. Damage caused due to accident, misuse, neglect and incorrect installation, adjustment or repair.  
2. Liability for damage or loss during transit from the retailer or purchaser to ROKSAN or its authorised distributor for the purposes of repair or inspection.  
Carriage costs to ROKSAN shall be borne by the consignors.

All claims under this guarantee must be made through an authorised ROKSAN retailer. If equipment returned for repair to ROKSAN is found on inspection to comply with the product specification ROKSAN reserves the right to make a charge for examination and return carriage.

**ROKSAN AUDIO LIMITED UK**  
TEL. +44 (0)208 900 6801  
+44 (0)208 900 6802  
FAX. +44 (0)208 900 0734

# SPECIFICATIONS

Main Bearing Spindle .....	Precision machined stainless steel
Main Bearing Housing .....	Precision machined solid brass
Main Bearing Ball .....	Precision case hardened steel
Pulley .....	Precision machined aluminium alloy
Platter .....	Precision machined acrylic
Motor .....	Custom made 24 pole synchronous
Speed .....	33 & 45 rpm
Power .....	110 or 220 Vac - 50/60 Hz
Rumble .....	<-75dB
Wow & Flutter .....	<0.04%
Dimension .....	400 x 350 x 150mm (W x D x H)
Weight .....	7Kg

All specifications are liable to change without prior notice. E & O.E. Printed in England  
Designed by **KEI**



# RADIUS 5

## RECORD PLAYER

### USERMANUAL


[www.roksan.co.uk](http://www.roksan.co.uk)

The best of

# ROKSAN

Technology

©2005 Roksan Audio Limited



# RADIUS 5

## RECORD PLAYER


Congratulations on your purchase of the Roksan Radius5 record player. This record player is designed and manufactured to the highest specification and rigorously tested to reward you many years of listening pleasure.

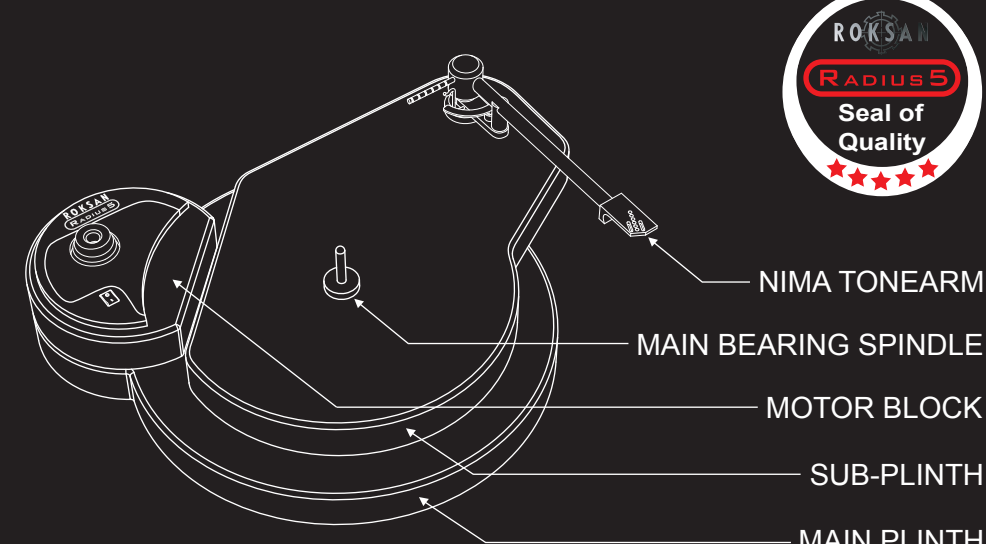
Your Radius5 record player is at the heart of your vinyl replay system. Its correct installation, set-up and operation will have a profound influence on the sonic performance of the entire hi-fi installation.

Please read the contents of this manual thoroughly. It will help you to understand your record playing equipment better and enhance your listening pleasure.


**BRIEF**

The design of the Radius5 record player has many special features not found in other similar turntables. Drive mechanism utilises a custom synchronous motor fitted with a precision-machined solid aluminium alloy pulley. The main bearing housing and spindle are custom designed and machined from solid brass and solid stainless steel to extremely high precision to ensure ultra smooth running and longevity. The platter is machined from solid Acrylic to very high accuracy and ensures speed stability. Main bearing, Platter and Tone Arm are mounted on the sub plinth and three point de-coupled from the main plinth to maximise performance and minimise acoustic break through. The motor assembly is mounted on the motor block and then onto the main plinth and further de-coupled to avoid motor noise break through. Tone Arm cable is rigidly fixed to the main plinth that acts as a mechanical ground and minimises interference with the sub plinth. The Radius5 has three custom made adjustable spike feet to allow levelling and provide optimum coupling to the surface that it sits on. Partnered with the NIMA tonearm, the Radius5 gives unparalleled performance in its class.





NIMA TONEARM  
MAIN BEARING SPINDLE  
MOTOR BLOCK  
SUB-PLINTH  
MAIN PLINTH

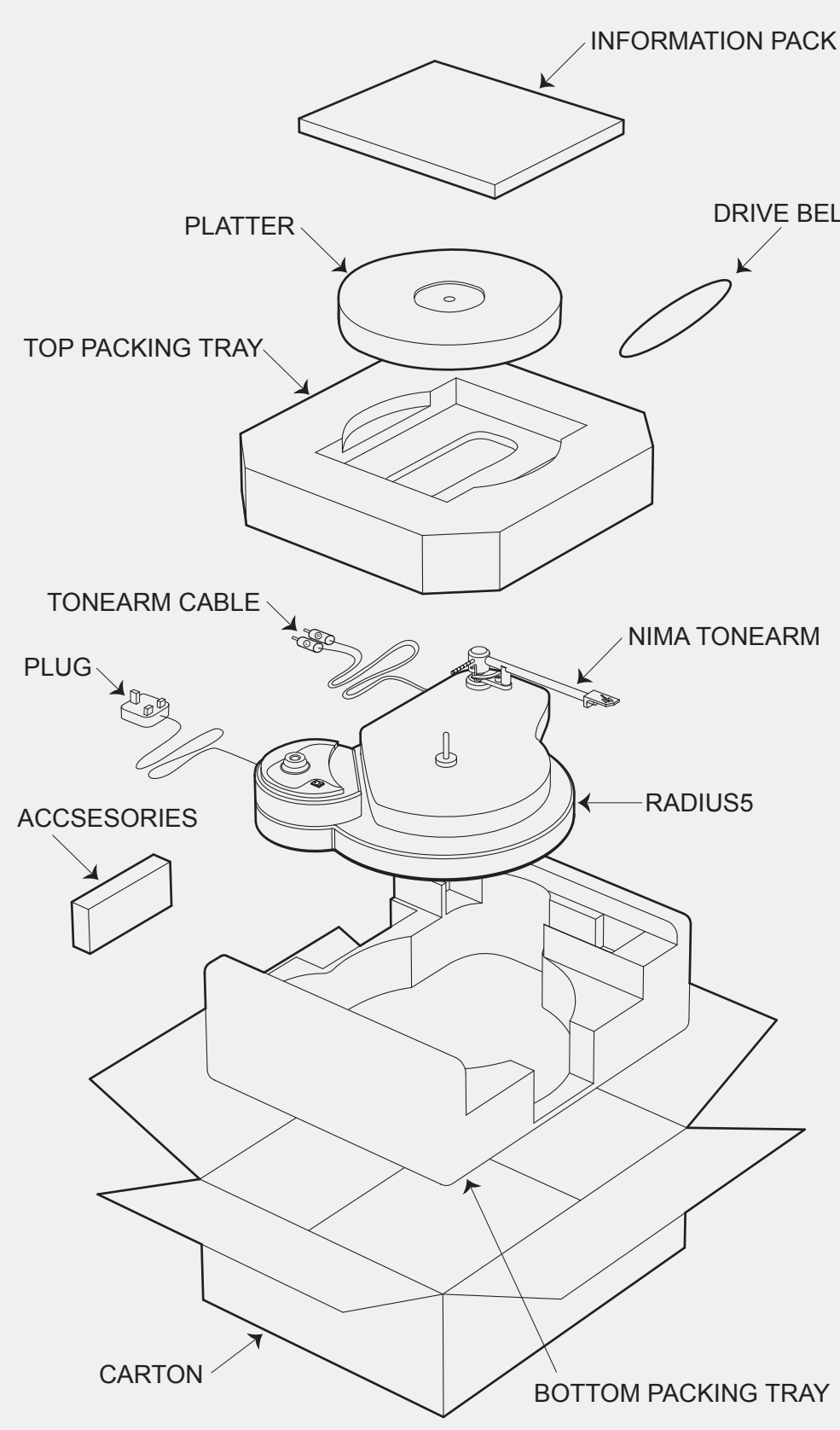


## PACKAGING


Your Radius5 is carefully and thoughtfully packed so that the packaging can be re-used whenever you need to transport it. Please store all the packaging material for future use.

**WARNING**

The NIMA tonearm is shipped without its counterweight attached and locked in transit position. It is also secured onto the arm rest with a releasable tie. Please refer to the NIMA user manual for its correct installation and setup.



INFORMATION PACK  
PLATTER  
DRIVE BELT  
TOP PACKING TRAY  
TONEARM CABLE  
NIMA TONEARM  
RADIUS5  
PLUG  
ACCSESORIES  
CARTON  
BOTTOM PACKING TRAY



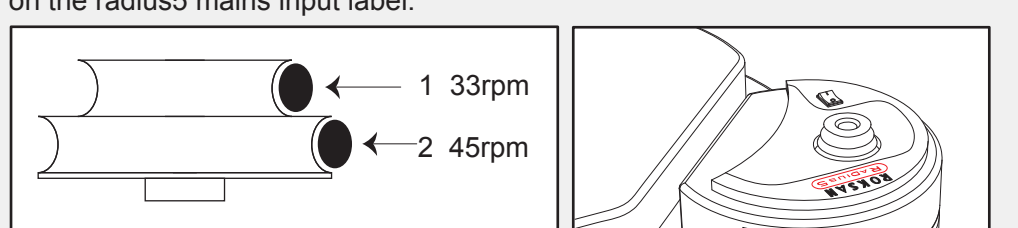
## ASSEMBLY

Remove the Radius5 from its protective bag and check that the voltage label indicates the correct voltage range and frequency for your mains supply. If the Radius5 is fitted with the NIMA tone arm, be extra careful not to damage the arm while you are assembling the record player. If in doubt, remove the tone arm. (Refer to the NIMA user manual)


Remove the Adjustable Spike Feet (x3) from the accessories bag and carefully fit them to the bottom plinth. Initially screw them all the way as the surface you intend to place the Radius5 on would normally be level. The feet could be used to level the Radius5 in its final position later if required.

Remove the Platter, with the record label recess upper most, carefully locate its central hole over the main bearing spindle and gently lower it until the two are fitted together.

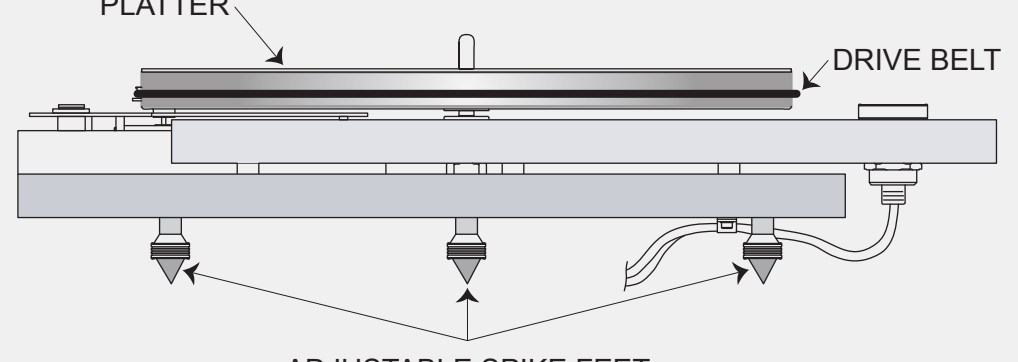
Remove the Drive Belt and gently place it around the platter and then onto the pulley. Note position 1 is for 33 rpm and position 2 is for 45 rpm. It is important to check that your mains supply frequency corresponds to the frequency specified on the radius5 mains input label.



1 33rpm  
2 45rpm



MAX. POWER: 3W  
220 - 240 Vac 50Hz MADE IN U.K.



PLATTER  
DRIVE BELT  
ADJUSTABLE SPIKE FEET

**NOTE:**

The Main Bearing is already charged with correct type of oil & grease and it is important that the **Main Bearing Spindle is not removed from the bearing housing**. This will disperse some of the oil and necessitate charging the Main Bearing with oil again. The Main Bearing requires cleaning with a cotton bud and recharging with Roksan supplied bearing oil every 2-3 years. Consult your Roksan appointed retailer/distributor or contact Roksan Audio for any assistance.

Finally, for assembling and fitting of your tone arm and cartridge, refer to the manufacturer's user manual.

**IMPORTANT**

The Radius5 is mains operated. DO NOT try to gain access to the inside of this unit. Refer all servicing to your Roksan appointed retailer/distributor or contact Roksan Audio.